

Nitto Kohki
PNEUMATIC & ELECTRIC BEVELERS



Model	Circuit Beveler CB-02
Air Pressure	85 psi
Air Consumption	14.1CFM
Free Speed	13,000 RPM
Bevel Angle	45°
Bevel Width	5/64" max.
Weight	4 lbs.
Horsepower	.45 hp
Accessories Included	threaded adapter PT1/4" x NPT1/4", spanner T-9F, cutting tip 3/8" sq., gauge, hook spanner, protective cap

- Lightweight and compact for most beveling and chamfering applications
- Uniquely designed to bevel circular, elliptical and straight line profiles
- Bevels exterior and/or interior edges
- Bevels widths up to 5/64" at 45°
- Depth gauge provided to accurately set bevel widths
- Optional attachment #TB02437-0 available for chamfering and/or beveling thin materials
- Uses indexable carbide inserts

Acorn Industrial Products Co

520 Hertzog Boulevard | King of Prussia, PA 19406

Phone 800-523-5474 | Fax 800-782-6780

E-Mail acorn@acornindprod.com | Web acornindprod.com



Model	Mini Beveler AMB-0307
Air Pressure	85 psi
Air Consumption	31.8 CFM
Free Speed	14,000 RPM
Bevel Capacity	
- for Stainless Steel	1/8" max.
- for Mild Steel	9/32" max
- for Radius	1/16", 1/8", 5/32"
Bevel Angle	15° - 45°
Weight	6.4 lbs.
Required Cutting Tips	1
Accessories Included	3mm & 4mm allen wrench, spanner, hex nut M8, cutting tip w/hole 1/2" sq., hex socket set screw 8x25 special, threaded adapter PT1/4" x NPT1/4"

- Lightweight 6-1/2 lb. design for portable edge beveling applications
- Ideal for beveling plate, pipe, tube and other profiles
- Designed to bevel stainless and carbon steels
- Adjustable to bevel angles from 15°-45°
- Bevels widths up to 9/32" at 45°
- Uses indexable carbide inserts

Nitto Kohki
PNEUMATIC & ELECTRIC BEVELERS



Model	Mini Beveler EMB-0307A
Power Supply	230V
Power Consumption	1020 watts
Rated Current	4.6A
Free Speed	14,000 RPM
Bevel Capacity	
- for Stainless Steel	1/8" max.
- for Mild Steel	5/16" max.
- for Radius	3/16" max.
Bevel Angle	15° - 45°
Weight	8.8 lbs.
Required Cutting Tips	1
Accessories Included	cutting tip w/hole 1/2" sq., carbon brush ass'y, hex nut M8, spanner, 4mm allen wrench, hex socket set screw 8x25 special

- Operates on standard 230V current
- Ideal for edge beveling pipe, tube and plate
- Designed to bevel stainless and carbon steels
- Powerful 1-1/2 horsepower double insulated motor
- Adjustable to bevel angles 15°-45°
- Uses indexable carbide inserts
- Fixed radius inserts available
- Swarf and chip collection box included

Acorn Industrial Products Co

520 Hertzog Boulevard | King of Prussia, PA 19406

Phone 800-523-5474 | Fax 800-782-6780

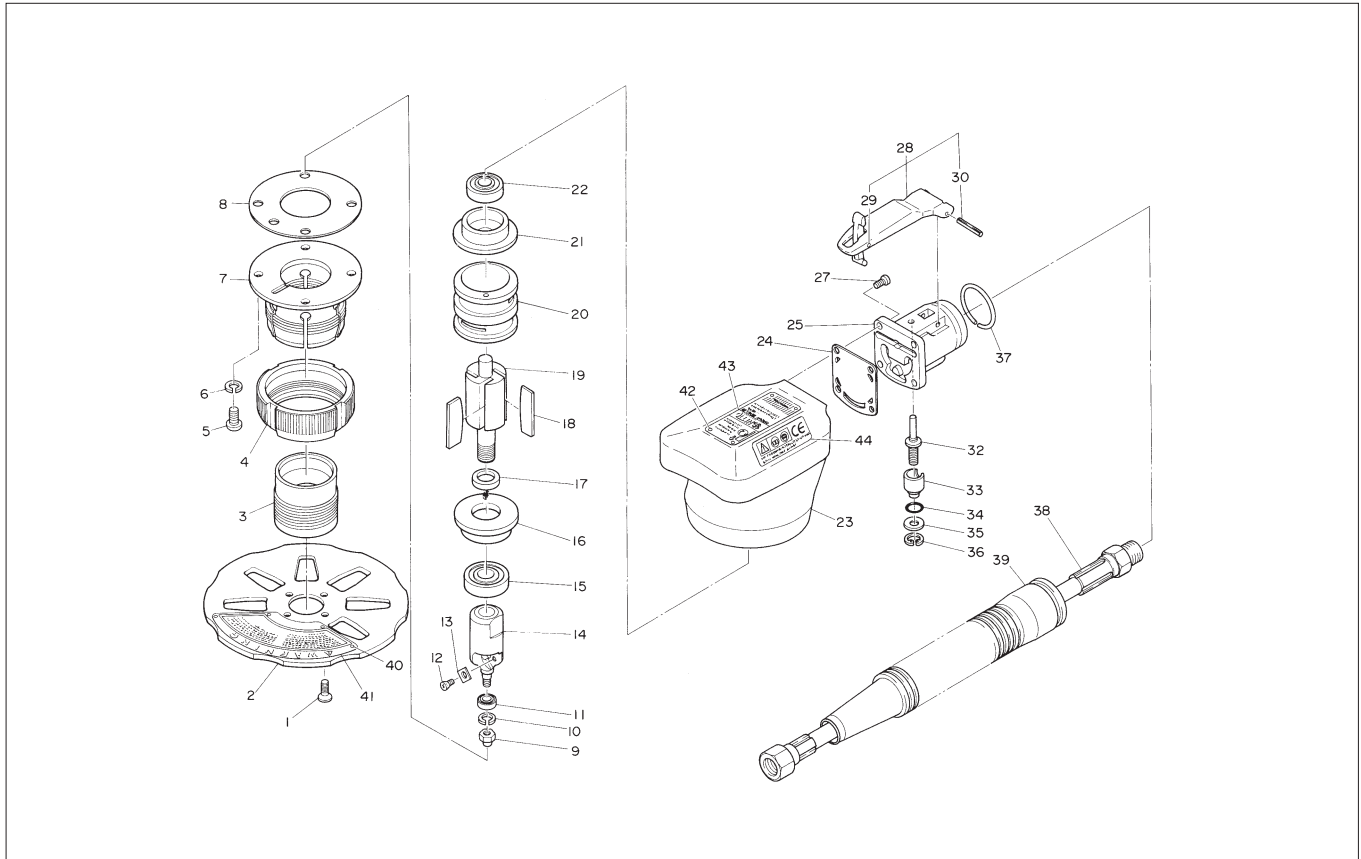
E-Mail acorn@acornindprod.com | Web acornindprod.com



Model	Mini Beveler MB-03A
Power Supply (Single)	110V
Power Consumption	430 watts
Rated Current	4.5A
Bevel Capacity	1/8"
Bevel Angle	45°
Rated Revolution	7,100 RPM
Overall Length	12-7/16"
Weight	5.5 lbs.
Required Cutting Tips	1
Accessories Included	3mm & 4mm allen wrench, spanner, hex nut M8, cutting tip w/hole 3/8" sq., hex socket set screw 8x25 special

- Ideal for small beveling applications
- Operates on 110V current
- Bevels plate, pipe and tubing
- Bevels 45° fixed angle
- Uses indexable carbide inserts

CIRCUIT BEVELER CB-02 ASSEMBLY AND PARTS LIST



The part numbers with () are included in the Ass'y parts written above them.

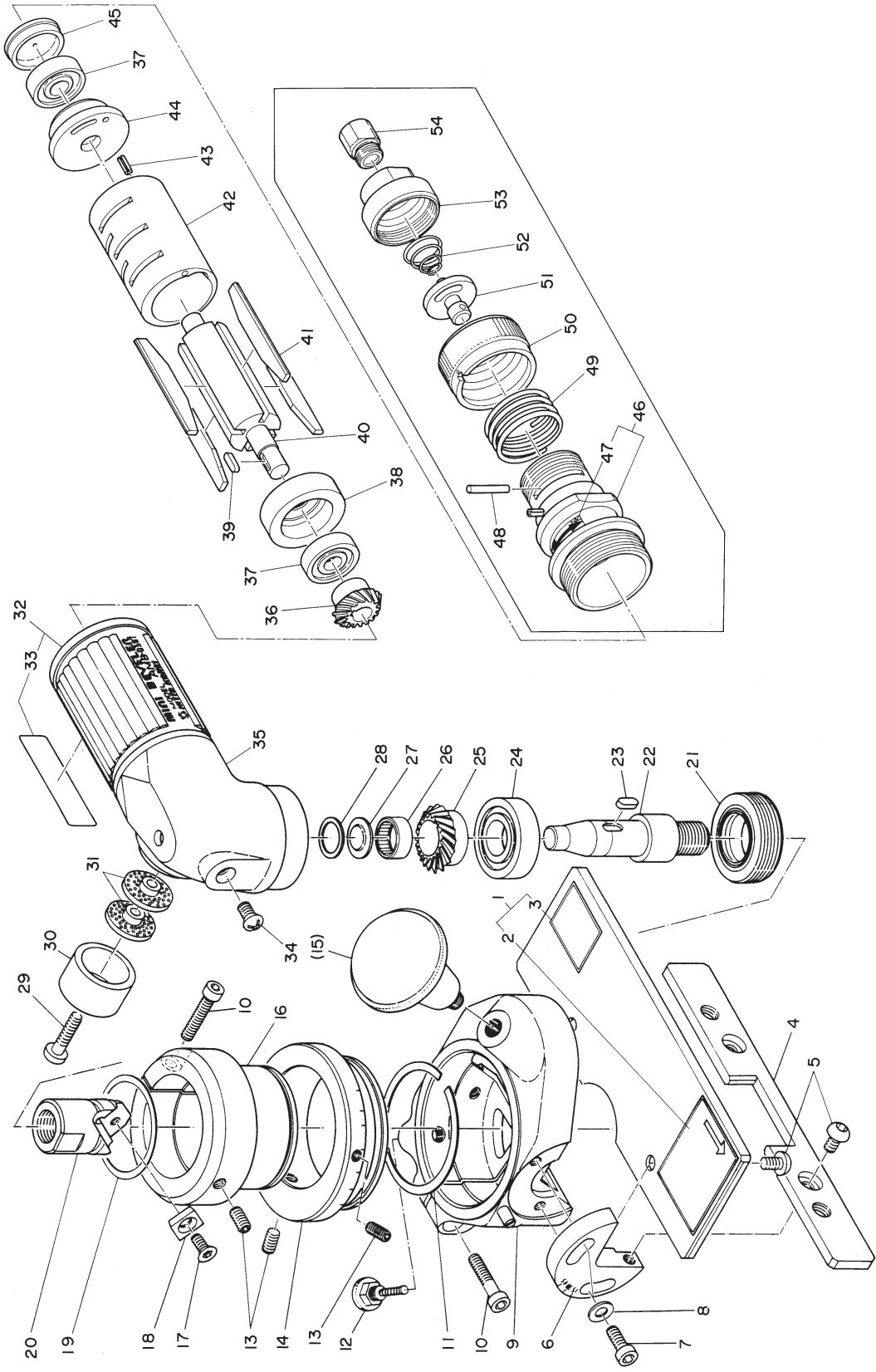
No.	Part No.	Part Name	Q'ty	Price
1	TP00112	+ Screw 4 X 10	4	
2	TB00668	Disk Sub Ass'y	1 set	
40	(TP17131)	Drive Screw 2 X 3.2	4	
41	(TQ00851)	Warning Plate	1	
3	TQ00629	Adjuster	1	
4	TQ00632	Lock Ring	1	
5	TP00511	+ Screw 5 X 15	4	
6	TP00513	Spring Washer M5	4	
7	TQ00631	Housing Connector	1	
8	TQ00633	Packing	1	
9	TQ00627	Hex. Cap Nut M4	1	
10	TP04234	Washer M4	1	
11	TQ00625	Ball Bearing L1150ZZ	1	
12	TQ00626	Tip Setting Screw	1	
13	TV7A010	Straight Cutting Tip (2 pcs/set)	1 set	
14	TQ00624	Cutter Spindle	1	
15	TP01913	Ball Bearing 6000 Z	1	
16	TP01911	End Plate B	1	
17	TP01912	Distance Collar	1	
18	TA9A212	Blades (4 pcs/set)	1 set	
19	TQ00623	Rotor	1	
20	TP10000	Cylinder	1	
21	TP01907	End Plate A	1	
22	TP00468	Ball Bearing 608Z	1	
23	TB01269	Housing Ass'y	1 set	
42	(TQ00658)	Drive Screw 1.85 X 3.2	4	

No.	Part No.	Part Name	Q'ty	Price
43	(TQ02321)	Name Plate CB-02 Exp.	1	
44	(TQ02207)	Label CE-Mark	1	
24	TP16050	Packing A	1	
25	TP16047	Valve Body	1	
27	TP02638	+ Screw 4 X 12	4	
28	TB01152	Lever Ass'y	1 set	
29	(TP05498)	Spring Pin 2 X16	1	
30	(TP00460)	Spring Pin 3 X 22	1	
32	TA93070	Valve Stem Ass'y	1 set	
33	TP06325	Adjust Valve	1	
34	TP11997	O-Ring KS-7	1	
35	TP06326	Spacer 6 X 12 X 1.2	1	
36	TP03695	Retaining Ring	1	
37	TP09153	Stop Ring 0-27 X 2.6	1	
38	TA96867	Air Hose Ass'y PT1/4	1 set	
39	TQ01664	Exhaust Hose	1	

ACCESSORIES

	TP02236	Reducer PT1/4 X NPT1/4	1	
	TA9A639	Tip 9.525 sq.	1	
	TP16980	Spanner T-9F	1	
	TQ00636	Hook Spanner	1	
	TQ00637	Protective Cap	1	
	TQ00638	Gauge	1	
	TQ00852	Instruction Manual	1	

MINI BEVELER AMB-0307 ASSEMBLY AND PARTS LIST



The part numbers with () are included in the Assy parts written above them.

AMB-0307 PARTS LIST

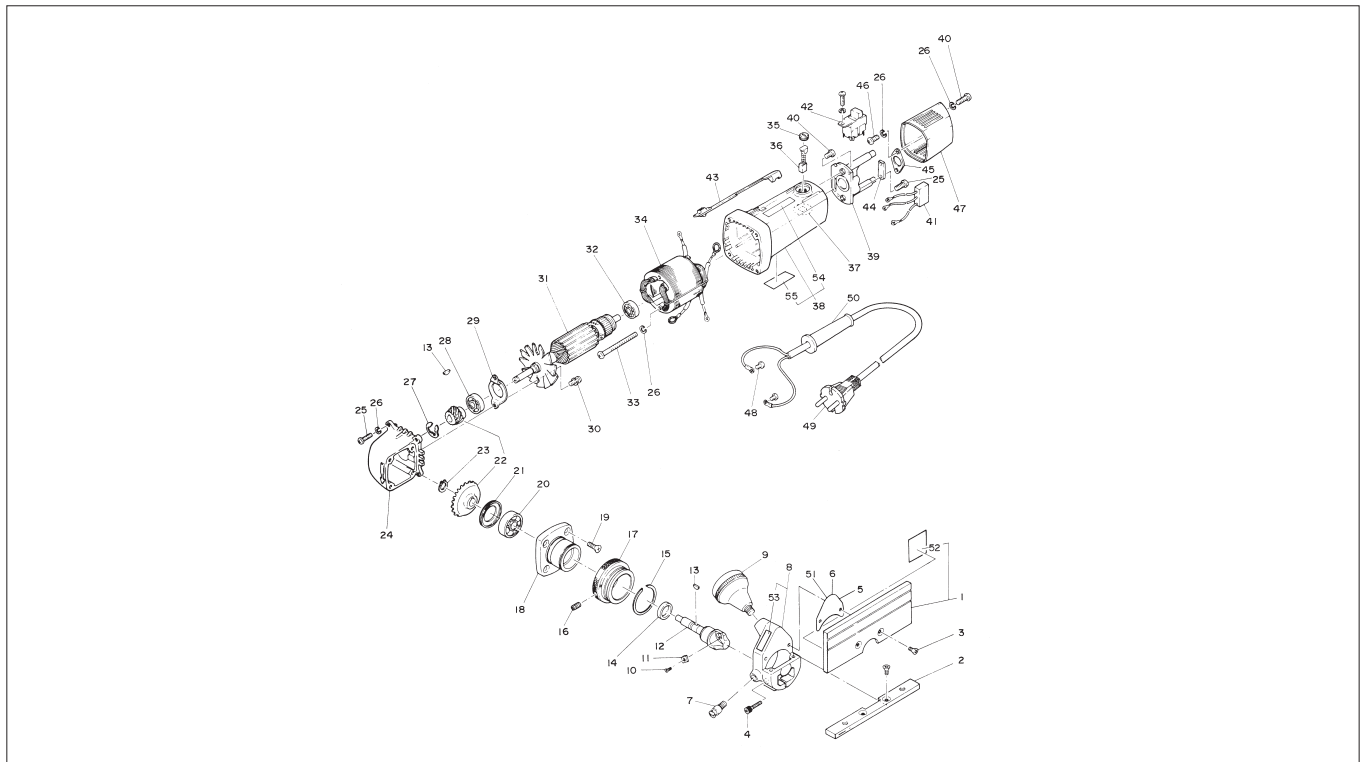
No.	Part No.	Part Name	Q'ty	Price
1	TB02039	Plate A Assy	1 set	
2	(TP16975)	Warning -Label A	1	
3	(TQ01684)	Beveling Level -Label B	1	
4	TQ00210	Plate B	1	
5	TQ00211	Hex. Screw 5 X 8	4	
6	TP18065	Plate Guide	2	
7	TP02862	Hex. Bolt 5 X 15	4	
8	TP02152	Plain Washer M5	4	
9	TA9A895	Head Sub Assy A	1 set	
10	TP08013	Hex. Bolt 5 X 25	2	
11	TP18056	Concentric Snap Ring	1	
12	TA9A583	Stopper Assy	1 set	
13	TP04827	Hex. Set Screw 6 X 10	3	
14	TP18055	Eccentric Ring	1	
16	TQ00142	Aux. Ring	1	
17	TQ01629	Tip Fixing Screw 4X7	1	
18	TQ01628	Tip 12.7 w/ angle hole	1	
	TQ00139	Spacer 38.5 X 43.8 X 0.05		
	TQ00140	Spacer 38.5 X 43.8 X 0.1		
19	TQ00141	Spacer 38.5 X 43.8 X 0.2		
	TQ00298	Spacer 38.5 X 43.8 X 0.3		
20	TQ01630	Holder	1	
21	TA98634	Bearing Set Screw Assy	1 set	
22	TQ00954	Spindle	1	
23	TP00502	Sunk Key 4 X 4 X 9.5	1	
24	TP01609	Ball Bearing 6202Z	1	
25	TP14036	Gear	1	
26	TQ00955	Needle Bearing TA1010Z	1	
27	TP10100	Bearing Cover	1	
28	TP10826	Packing	1	
29	LP08450	+ Screw 5 X 25	1	
30	TP14041	Exhaust Cover	1	
31	CP20180	O Ring P-18	1	
32	TP14040	Silencer Plate	2	

No.	Part No.	Part Name	Q'ty	Price
33	TB01275	Housing Assy	1 set	
34	(TP14343)	Name Plate	1	
35	TP06715	+ Screw 5 X 8	1	
36	TP14030	Pinion	1	
37	TP10133	Ball Bearing 609 ZZ	2	
38	TP14034	End Plate B	1	
39	TP10130	Sunk Key 3 X 3 X 10	1	
40	TP14033	Rotor	1	
41	TA9A294	Blade (4 pcs./set)	1 set	
42	TP14031	Cylinder	1	
43	TP04061	Spring Pin 3 X 6	1	
44	TP10137	End Plate A	1	
45	TP15131	Cap	1	
46	TA98314	Valve Holder Sub Assy A	1 set	
47	(TP13542)	Switch Label	1	
48	TP00547	Valve Pin 3 X 20	1	
49	TP13541	Spring 1.2 X 29.4 X 25	1	
50	TP13540	Valve Ring	1	
51	TA98988	Feed Valve Assy	1 set	
52	TP00520	Valve Spring	1	
53	TP11797	Connection	1	
54	TP00857	Reducer M16 X PT1/4	1	

ACCESSORIES

No.	Part No.	Part Name	Q'ty	Price
15	TA93017	Knob Assy	1 set	
	TP01939	Hex. Wrench Key 4	1	
	TV7A019	Cutting Tip (2 pc. set)	1	
	TP04696	Hex. Wrench Key 3	1	
	TP08584	Hex. Nut M8	2	
	TP17133	Hex. Screw 8 X 25	2	
	TV7A015	Spanner T-15F	1	
	TP02236	Reducer PT1/4 X NPT1/4	1	
	TQ01635	Instruction Manual	1	

MINI BEVELER MB-03A ASSEMBLY AND PARTS LIST



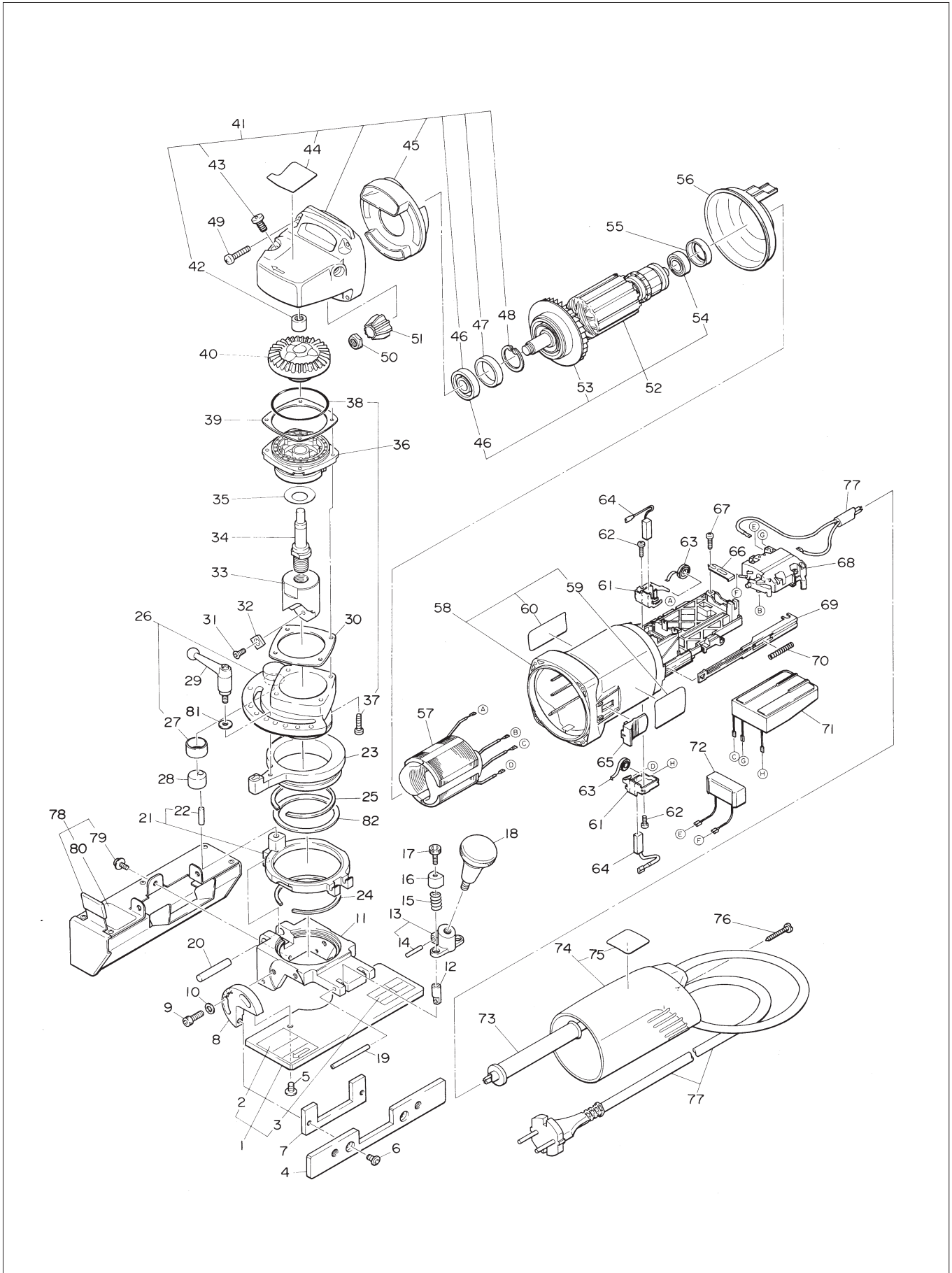
The part numbers with () are included in the Ass'y parts written above them.

No.	Part No.	Part Name	Q'ty	Price	No.	Part No.	Part Name	Q'ty	Price
1	TB02037	Plate A Ass'y	1 set		34	TA99915	Field Ass'y	1 set	
52	(TP16975)	Caution Label	1		34	TA9A444	Stator Ass'y (230V)	1 set	
2	TQ00213	Plate B	1		35	TP16213	Brush Cap	2	
3	TQ00214	Hex. Screw 5 X 12	4		36	TA9A633	Carbon Brush Ass'y (2 pcs/set)	1 set	
4	TP02863	Hex. Bolt 5 X 20	1		37	TP16266	Insulation Sheet Metal	2	
5	TP17355	Spacer 0.1	1		38	TB02038	Motor Case Ass'y	1 set	
6	TP17356	Spacer 0.2	1		54	(TP16216)	Nitto Plate	1	
7	TA9A583	Stopper Ass'y	1 set		55	(TP17358)	Specification Plate	1	
8	TB02042	Head Sub Ass'y A	1 set		39	TP16256	Insulation Stand	1	
53	(TP16361)	Warning Label	1		40	LP12832	+ Screw 4 X 14	4	
9	TA93017	Knob Ass'y	1 set		41	TP16263	Capacitor	1	
10	TP16968	Tip Setting Screw	1		41	TQ03965	Capacitor SKT (230V)	1	
11	TP17354	Tip 9.525 sq. R2	1		42	TA99917	Switch Ass'y	1 set	
12	TQ00824	Cutter Spindle	1		43	TA99916	Switch Lever Ass'y	1 set	
13	TP03755	Woodruff Key 2.5 X 10	2		44	TP16261	Cord Clamp	1	
14	TP16195	Dust Seal	1		45	TP16262	Cord Stopper	1	
15	TP16969	Retaining Ring WR-35	1		46	TA91575	+ Screw 4 X 8	2	
16	TP04827	Hex. Set Screw 6 X 10	1		47	TP16255	Motor Cover	1	
17	TP16962	Eccentric Ring	1		48	TP16292	Screw 3.5 X 8	4	
18	TP17588	Bearing Case	1		49	TA99918	Cabtyre Cord Ass'y (115V)	1 set	
19	TP00112	+ Screw 4 X 10	4		49	TB02514	Cabtyre Cord Ass'y (230V)	1 set	
20	TP01913	Ball Bearing 6000 Z	1		50	TQ03286	Strain Reliever	1	
21	TP17587	Bearing Set Screw	1		51	TP17589	Spacer 0.05	1	
22	TB01097	Pinion & Gear Ass'y	1 set			TP04696	Hex. Wrench Key 3	1	
23	TP04595	Retaining Ring C-10	1			TP01939	Hex. Wrench Key 4	1	
24	TB00609	Gear Case Sub Ass'y	1			TP16980	Spanner T-9F	1	
25	TP16208	Tapping Screw 4 X 16	6			TP17133	Hex. Screw 8 X 25	2	
26	TP04234	Washer M4	10			TP08584	Hex. Nut M8	2	
27	TQ00422	Bowed E Ring	1			TA9A639	Tip 9.525 sq. (1 pc/sheet)	1 set	
28	TP11779	Ball Bearing 629DD	1						
29	TP16252	Bearing Supporter	1						
30	TP11245	+ Screw 4 X 10	2						
31	TA99913	Armature Ass'y (115V)	1 set						
31	TA9A446	Armature Ass'y (230V)	1 set						
32	TP16251	Ball Bearing 627 ZZ	1						
33	TP16254	Screw 4 X 60	2						

OPTIONAL ACCESSORIES

	TV7A010	Cutting Tip Straight (2 pcs/set)	1 set	
	TV7A011	Cutting Tip 1/16" R (2 pcs/set)	1 set	
	TA9A594	Inner Head Ass'y	1 set	
	TA9A638	Cutting Tip 3R (10 pcs/set)	1 set	

MINI BEVELER EMB-0307A ASSEMBLY AND PARTS LIST



The part numbers with () are included in the Ass'y parts written above them.

No.	Part No.	Part Name	Q'ty	Price
1	TB02632	Plate C Ass'y	1 set	
2	(TP16975)	Label A (Caution)	1	
3	(TQ01684)	Label B (beveling level)	1	
4	TQ03415	Plate D	1	
5	TQ00211	Hex. Screw 5 X 8	2	
6	TQ00214	Hex. Screw 5 X 12	2	
7	TQ04308	Plate Supporter	1	
8	TP18065	Plate Guide	2	
9	TP02862	Hex. Bolt 5 X 15	4	
10	TP02152	Plain Washer M5	4	
11	TQ04301	Head	1	
12	TQ04305	Shaft	2	
13	TB03291	Lock Block A Ass'y	1 set	
14	(TQ04306)	Parallel Pin A4 X 25	1	
15	TQ04302	Spring 1.2 X 10.5 X 14	2	
16	TQ04303	Cover	2	
17	TP00021	Hex. Bolt 5 X 10	2	
18	TA93017	Knob Ass'y	1 set	
19	TQ04307	Parallel Pin A5 X 50	1	
20	TQ04300	Parallel Pin A8 X 35	1	
21	TB03290	Lock Plate Ass'y	1 set	
22	(TQ04298)	Parallel Pin A6 X 20	1	
23	TQ04296	Eccentric Ring	1	
24	TQ04310	Concentric Snap Ring WR-65	1	
25	TP18056	Concentric Snap Ring WR-52	1	
26	TB03392	Adapter Ass'y	1 set	
27	(TQ04442)	Bushing LFB-1810	1	
28	TQ04297	Eccentric Top	1	
29	TQ04294	Clamp Lever KR5 X 15	1	
30	TQ04328	Spacer t0.05 (for adjustment)		
	TQ04329	Spacer t0.1 (for adjustment)		
	TQ04330	Spacer t0.2 (for adjustment)		
	TQ04331	Spacer t0.3 (for adjustment)		
	TQ04332	Spacer t0.5 (for adjustment)		
31	TQ01629	Tip Fixing Screw 4 X 7	1	
32	TV7A019	Cutting Tips (2 pcs/set)	1 set	
33	TQ03412	Holder	1	
34	TQ03795	Spindle	1	
35	TQ03796	Washer	1	
36	TB03407	Bearing Case Ass'y C	1 set	
37	(TP14471)	Hex. Socket Bolt 4 X 20	4	
38	(TQ01578)	O-Ring 46 X 48 X 1	1	
39	TQ03822	Spacer For Bearing Case 0.1mm		
	TQ03823	Spacer For Bearing Case 0.15mm		
	TQ03824	Spacer For Bearing Case 0.2mm		
	TQ03825	Spacer For Bearing Case 0.3mm		
40	TQ03797	Gear	1	
41	TB03321	Gear Case Ass'y A	1 set	
42	(TP16788)	Needle Bearing HK0808	1	
43	(TB03234)	Lock Button Ass'y	1 set	
44	(TQ03840)	Caution Label	1	

No.	Part No.	Part Name	Q'ty	Price
45	(TQ04210)	Air Deflector Ring	1	
46	(TQ04203)	Ball Bearing 608LU	1	
47	(TP16785)	Gum Ring A	1	
48	(TQ04214)	Retaining Ring	1	
49	TQ04219	+ Tapping Screw 4 X 25	4	
50	TP16763	Hex. Nut M7 Special	1	
51	TQ04213	Pinion	1	
52	TB03322	Armature Ass'y 230V	1 set	
46	(TQ04203)	Ball Bearing 608LU	1	
53	(TQ04200)	Fan	1	
54	(TP06386)	Ball Bearing 607 ZZ	1	
55	TQ04208	Gum Ring	1	
56	TQ04209	Fan Guide	1	
57	TB03339	Stator Ass'y 230V	1 set	
58	TB03409	Motor Case Ass'y	1 set	
59	(TQ04319)	Label Model Number	1	
60	(TQ04318)	Label Warning	1	
61	TQ04204	Brush Holder	2	
62	TQ04216	+ Tapping Screw 2.9 X 9.5	2	
63	TQ04205	Brush Spring	2	
64	TB03219	Carbon Brush Ass'y (2 pcs./set)	1 set	
65	TP16803	Switch Button	1	
66	TP16772	Cord Clamp	1	
67	TQ04215	+ Tapping Screw 3 X 9	1	
68	TP16766	Switch FV-110	1	
69	TQ04206	Slider	1	
70	TP16804	Spring 0.5 X 4.5 X 29	1	
71	TQ04383	Governor 230V	1	
72	TQ04202	Condenser	1	
73	TQ04384	Cord Armour 230V	1	
74	TB03324	Motor Cover Ass'y	1 set	
75	(TQ03819)	Label Electronic	1	
76	TQ04217	+ Tapping Screw 4 X 18	1	
77	TQ04382	Cabtyre Cord	1	
78	TB03427	Dust Box Ass'y	1 set	
79	(TQ04475)	+ Pan Head Screw 5 X 10	3	
80	(TQ04472)	Label Caution Dust Box	1	
81	TQ04642	Plain Washer M5 12 X 5.5 X 0.5	1	
82	TQ04775	Spacer t0.1 (for Lock Plate)	1	
	TQ04776	Spacer t0.2 (for Lock Plate)	1	
	TQ04777	Spacer t0.05 (for Lock Plate)	1	

ACCESSORIES

	TB01159	Tip 12.7 (10 pcs/set)	1 set	
	TQ01629	Tip Fixing Screw 4 x 7	1	
	TB03219	Carbon Brush (2 pcs/set)	1 set	
	TP01939	Hex. Wrench Key 4	1	
	TQ01683	Spanner T-15D	1	
	TP08584	Hex. Nut M8	2	
	TP17133	Hex. Screw 8 X 25	2	
	TQ04445	Instruction Manual	1	